

Ersatzteile passend für Schütte Spare parts suitable for Schütte

Lademagazin Zubehör siehe Tab. 10
Loading magazine accessories Tab. 10

Führungsbuchse	3
Druck-/Spannring	4
Kupplungshebel	1
Rollen/-bolzen	2
Spannfinger	1
Spannmuffe	3
Spannrolle	2

Chuck lever	1
Chucking roller	2
Clamping sleeve	3
Clutch lever	1
Guidance can	3
Pressure-/Clampingring	4
Roller/rollerbolt	2

Spannfinger / Chuck lever



Art.-Nr. 1017260



Art.-Nr. 1017190



Art.-Nr. 1017270

Maschine Machine	Ident - Nr. Ident - No.	Art.-Nr. Art.-No.
SB 16 with hole *	SB 16 890 b	1017010
SB 16	SB 16 890 d	1017020
SB 22	V 22 R 890	1017030
SB 30, SB 35	V 35 R 890	1017040
SB 35	SB 35 890	1017050
SB 42	SB 42 D 890 A	1017060
AD 40	AD 40 D 390 A	1017070
SD 25-32	VD 32 D 390A	1017080
SD 50-63-80	VD 63 D 390 A	1017090
SD 89	VD 63 D 390 A	1017100
SE 16-18	SE 16 D 390 B	1017110
SE 25-26	SE 25 D 390 A	1017120
SF 13	C 3220-B-00 SZ	1017130
SF 20	C 3220-B-11 SZ	1017140
SF 26	B 3220-C-11 SL	1017150
SF 26 A	C 3220-B-11 SL	1017150
SF/AF 26 . 32	C 3220-A-23 Z	1017160
SF 26-32	C 3220-B-23 Z	1017170
SF/AF 26-32 N	C 3220-C-23 Z	1017180
SF 40-42-51	C 3220-A-44 SZ	1017190
SF/AF 42, SF 51	C 3220-B-45 Z	1017200
SF/AF 67-81	C 3220-B-66 Z	1017210
SF 81/ SF 67	C 3220-A-67 SZ	1017220
SF 100	C 3220-77-SL	1017230
SF 26 L, SF 26 S	C 3220-C-11 SL	1017250
SG 18 / AG 20	B 3220-A-G ISZ	1017260
SG 18 / AG 20 with shoulder	B 3220-A-G ISZ	1017270
CNC-Machine:		
A 36 PC (NC)	C 3220-C-23 Z	1017410

*mit Bohrung=with hole

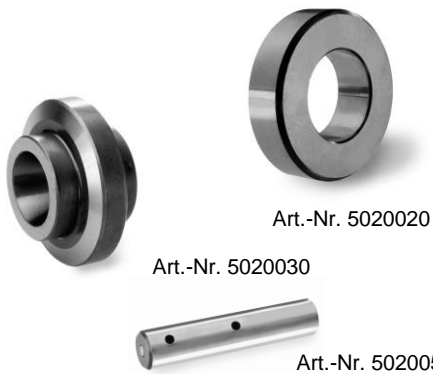
□mit Absatz=with shoulder

Kupplungshebel / Clutch lever



Art.-Nr. 1017290

Machine Machine	Ident - Nr. Ident - No.	Art.-Nr. Art.-No.
SE 25	SE 25 C 2538 A	1017280
SE 16	SE 16 C 2538 A	1017290
SFH 160	C-3220-C-44 SF	1017240
SFH 160	C-3220-44 SF	1017430
SF 20 DNT	D-3320-A-11 F	1017400
SF 20 DNT	C-3220-D-11 SZ	1017380
AD 40	C-3320-A-55 Z	1017420



Spannrolle/Spannrollenbolzen Chucking roller/Chucking rollerbolt

Maschine Machine	Ident - Nr. Ident - No.	Art.-Nr. Art.-No.
SE 25 (D47/d25/H13)	SE 25 D 859	5020020
SE 25	SE 25 D 5821	5020030
SE 25 Bolt/Bolzen	SE 25 D 5822	5020050



Rollen/Rollenbolzen Roller/Rollerbolt

Maschine Machine	Ident - Nr. Ident - No.	Abmessung Dimensions	Art.-Nr. Art.-No.
SE 16-25 + SF Roller	SE 16 D 90	Ø 28(18) x 14,2	5040020
SE 16-25 + SF Rollerbolt	SE16 D 186 A	Ø 18(15) x 48,6	5040030
SE 25 + SF Roller		Ø 25(16) x 16	5040060
SE 25 + SF Rollerbolt		Ø 15 x 42	5040050
SE 25 Rollerbolt	SE 25 D 536	Ø 18 x 34,5	5040070
SE 25 Rollerbolt	SE 25 D 537	Ø 18 x 34,5	5040080
SD 50-63 Roller		Ø 45 x 25	5040100
SD 50-63 Rollerbolt		Ø 24 x 52,5	5040090
SD 50-63 Roller		Ø 36 x 25	5040120
SD 50-63 Rollerbolt		Ø 20 x 52,5	5040110
SD 50-63 Rollerbolt		Ø 20 x 49,2	5040130
SD 50-63 Roller		Ø 35 x 15	5040140
SD 25-32 Rollerbolt		Ø 20(16) x 44,5	5040170
SD 25-32 Roller		Ø 35 x 20,5	5040180
SD 25-32 Rollerbolt		Ø 20(15) x 47	5040190
SF / AF / SD Rollerbolt		Ø 20 x 39	5040210
SF / AF / SD Rollerbolt		Ø 20 x 53	5040220
SF / AF / SD Rollerbolt		Ø 20 x 61	5040230
SF / AF / SD Rollerbolt		Ø 20 x 71	5040240
SF / AF / SD Rollerbolt		Ø 20 x 84	5040250
SF / AF / SD Rollerbolt		Ø 20 x 87	5040260
SF / AF / SD Roller		Ø 32 x 16	5040270
SF / AF / SD Roller		Ø 32 x 12,5	5040280
SF / AF / SD Roller		Ø 32 x 20	5040290
AD 40 Roller		Ø 16,3 (20) x 36	5040310
AD 40 Rollerbolt		L 61,8	5040320
AD 40 Rollerbolt		L 59,0	5040330
AD 40 Rollerbolt with thread	M 22 x 1,5	Ø 25 x L70	5040340
AD 40 Roller		Ø 25 x 45	5040350

Weitere Rollen / Bolzen auf Anfrage
further roller / rollerbolt on request

Spannmuffe Clamping sleeve



Art.-Nr. 5010060



Art.-Nr. 5010160



Art.-Nr. 5010280

Maschine Machine	Ident - Nr. Ident - No.	Ø	H	Art.-Nr. Art.-No.
SF 8I	B 3210 A-77 SZ			5010210
AF 67 (3 grooves)	B 3210 C-66Z	174	104	5010390
S 36 PC/NC (6 grooves)	B 3210-G3A	125	74	5010330
SF/AF 40-42-51-67	C 3210 44 SZ	144	95	5010100
SF 51	C 3210 44 SZ-I	154	95	5010450
SF/AF 40-42-51-67	C 3210 44 Z	133,7	95	5010090
SF 26, AF 26	C 3210 A-22 Z	120	80	5010140
AF 51	C 3210 A-55 Z	146	95	5010120
SF 67	C 3210 A-66 SZ	190	105,5	5010200
AG/SG (3 grooves)	C 3210 A-GI SZ	80	64	5010150
AG/SG (6 grooves)	C 3210 A-GI SZ	80	64	5010290
AG/SG (9 grooves)	C 3210 A-GI SZ	80	64	5010280
AF/SF 51 (3 grooves)	C 3210 B(C)-55 Z	145	95	5010170
AF/SF 51 (6 grooves)	C 3210 B(C)-55 Z	145	95	5010350
SF/AF 26	C 3210 B-22 Z	120	80	5010040
SF/AF 26, SF 32	C 3210 B-33 Z	126	80	5010050
SF 32, AF 32	C 3210 C-33 Z	126	80	5010060
SF/AF 42 (6 grooves)	C 3210 C(B)-44 Z	134	96	5010180
AF/SF 51 (3 grooves)	C 3210 C-55 Z	145	95	5010170
AF/PC 32 (6 grooves)	C 3210 D-33 Z	120	74	5010160
AG 20 (6 Nuten) *	C 3210-GIAL	85	64	5010323
SF 20	D 3210 B-II SL-I	94	71	5010190
SF 26 L	D 3210 D-II SL	97	62	5010080
SF 26 (3 grooves)	C 3210 E-II SL	95	66	5010223
SF 26 (6 grooves)	D 3210 E-II SL	95	66	5010220
SE 16	SE 16 D-376 D	86	55	5010010
SE 25 (4 grooves)	SE 25 D-376 B	105,5	60	5010030

Führungsbuchse Guidance can



Art.-Nr. 5030270

Maschine Machine	Ident - Nr. Ident - No.	D	d	H	Art.-Nr. Art.-No.
SF/AF 40-67	D 3260-A 44	122,8	85	25	5030200
SF/AF 40-67	D 326-44 SZ	132	100	25	5030210
SF/AF 40-67	D 328-44 SZ	84	59,5	27	5030220
SE 16	SE 16 D 334	40,5	34	23,3	5030230
SE 16		42	34	21	5030240
SE 25		52	44	27,7	5030250
SE 25		59,7	44	19,5	5030260
SE 42, AF42	D 3290-44 SZ	M68x1,5	59,5	37	5030270

Weitere Typen auf Anfrage
further types on request

Druck-/Spannringe Pressure-/Clamping ring



Art.-Nr. 5010240



Art.-Nr. 5010250

Maschine Machine		Ident - Nr. Ident - No.	H	Art.-Nr. Art.-No.
SE 25	Clamping ring	SE 25 D 383		5040360
SF 32/AF32	Clamping ring	D 3280 D-33Z		5010230
SF 42	Clamping ring	D 3280 44-SZ		5040370
SG 18	Pressure ring	D 3260 GISZ		5010370
SF32/AF 32/PC 32	Pressure ring	D 3260 D-33Z	40mm	5010250
SF 32	Pressure ring	D 3260 C-33Z	25mm	5010260
SF 42	Pressure ring	D 3260 B-44Z		5040010
SF 32	Pressure ring	D 3260 B-33Z		5010240
AF 51	Pressure ring	D 3260 A-55Z		5010360
SF/AF26 (3 grooves)	Pressure ring	D 3260 A-22Z		5010380
SF 26 S	Pressure ring	C 3260 E-11SL		5010340
SF32/AF 32/PC 32	Pressure ring	C 3260 D-33Z	40mm	5010250



Art.-Nr. 5040500

Spritzring Spray ring

Maschine Machine	D	Ident - Nr. Ident - No.	H	Art.-Nr. Art.-No.
AF 51	168 mm	D 4170 A 55Z	30	5040500

Spanngehäuse Clamping Housing

Maschine Machine	Ident - Nr. Ident - No.	Art.-Nr. Art.-No.
SF 51	C 3200-44SZ-2	5010430
SF 32	C 3200 C-33Z	5010460